



# ITB Subsea

ITB Marine Group



## 35 Ton Hydraulic A-Frame

### General

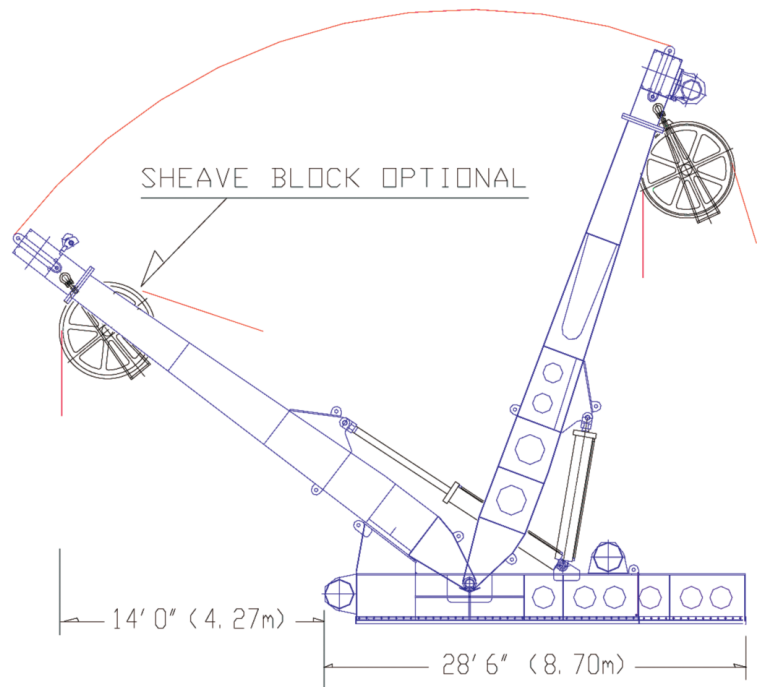
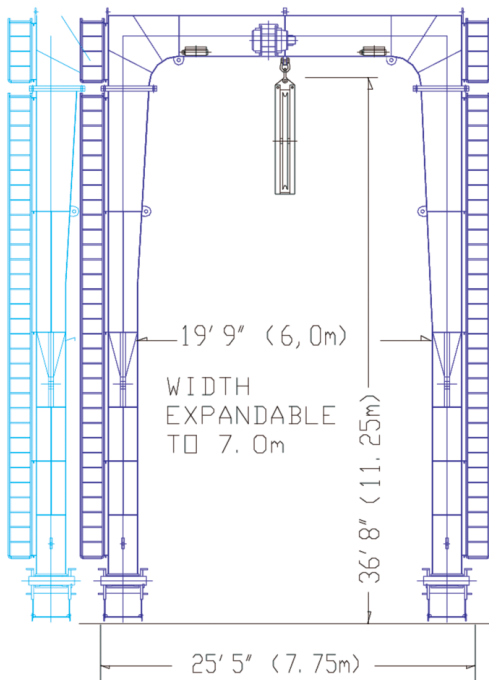
Manufactured by Prysmian Power Cables & Systems  
Design and constructed to ABS rules

### Dimensions

Height: approx. 13m (42' 7")  
Width: 7.75m to 8.75m (25' 5"-28' 9")  
Length: 8.70m  
Inside width clearance: 6.0m to 7.0m  
Overhead clearance: 11.25m

### Structure

Structure: A36 steel and 6061-T6 Aluminum



Updated: June 2014

**ITB Subsea Ltd.**

Telephone: 604-984-8393 • info@ITBSubsea.com • ITBSubsea.com

